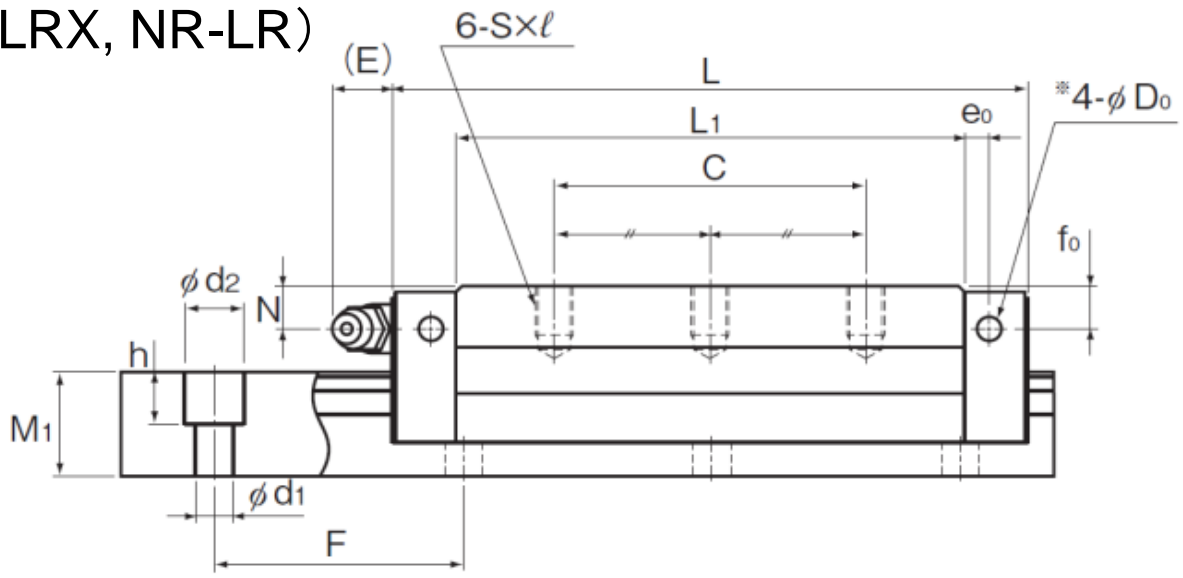
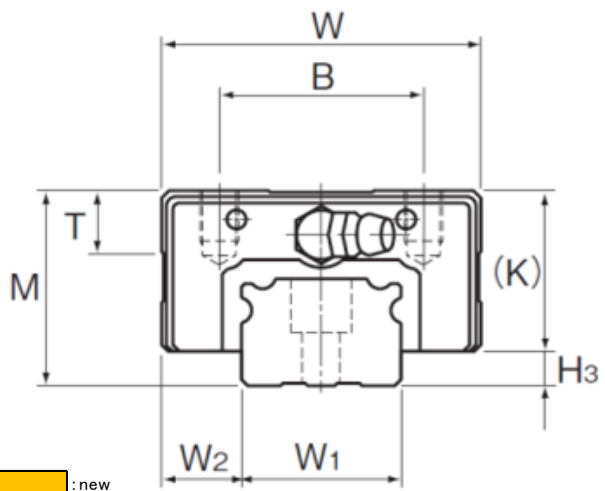


3. Dimension comparison

3.1 outer dimension (NR-LRX, NR-LR)



: new
 : old

unit: mm

| Model | Outer dimension | | | LM block dimension | | | | | | | | | | | LM rail dimension | | | | | Basic load rating | | Mass | | |
|---------|-----------------|-----|-------|--------------------|-----|----------|----------------|------|------|------|----------------|----|----------------|----------------|-------------------|------------------------------|----------------|----------------|-----|-----------------------------------|-----------|------------------------|------------------|-------------------|
| | M | W | L | B | C | S × ℓ | L ₁ | T | K | N | f ₀ | E | e ₀ | D ₀ | H ₃ | W ₁ 0 -0.05 | W ₂ | M ₁ | F | d ₁ /d ₂ /h | C [kN] | C ₀ [kN] | LM block [kg] | LM rail [kg/m] |
| | | | | | | | | | | | | | | | | | | | | | | | | |
| NR25LRX | 31 | 50 | 102 | 32 | 50 | M6 × 8 | 80.6 | 9.7 | 25.5 | 7.8 | 5.1 | 12 | 4.5 | 3.9 | 5.5 | 25 | 12.5 | 17 | 40 | 6/9.5/8.5 | 45.4 | 90.8 | 0.5 | 2.9 |
| NR25XLR | 31 | 50 | 102 | 32 | 50 | M6 × 8 | 81.6 | 9.7 | 25.5 | 7 | 7 | 12 | 4 | 3.9 | 5.5 | 25 | 12.5 | 17 | 40 | 6/9.5/8.5 | 44 | 113 | 0.55 | 3.1 |
| NR30LRX | 38 | 60 | 120.5 | 40 | 60 | M8 × 10 | 94.6 | 9.7 | 31 | 10.3 | 7 | 12 | 6.5 | 3.9 | 7 | 28 | 16 | 21 | 80 | 7/11/9 | 66.9 | 130.8 | 0.9 | 4.2 |
| NR30LR | 38 | 60 | 120.5 | 40 | 60 | M8 × 10 | 93.4 | 9.7 | 31 | 7 | 7 | 12 | 5 | 3.9 | 7 | 28 | 16 | 21 | 80 | 7/11/9 | 64.9 | 162 | 1 | 4.3 |
| NR35LRX | 44 | 70 | 135 | 50 | 72 | M8 × 12 | 104.5 | 11.7 | 35 | 12.1 | 8 | 12 | 6 | 5.2 | 9 | 34 | 18 | 24.5 | 80 | 9/14/12 | 89.6 | 169.1 | 1.3 | 6 |
| NR35LR | 44 | 70 | 135 | 50 | 72 | M8 × 12 | 103.4 | 11.7 | 35 | 8 | 8 | 12 | 6 | 5.2 | 9 | 34 | 18 | 24.5 | 80 | 9/14/12 | 85.7 | 210 | 1.4 | 6.2 |
| NR45LRX | 52 | 86 | 171 | 60 | 80 | M10 × 17 | 137.8 | 14.7 | 40.4 | 13.9 | 8 | 16 | 8.5 | 5.2 | 11.6 | 45 | 20.5 | 29 | 105 | 14/20/17 | 132 | 255.8 | 2.3 | 9.5 |
| NR45LR | 52 | 86 | 171 | 60 | 80 | M10 × 17 | 137 | 14.7 | 40.5 | 10 | 8 | 16 | 7 | 5.2 | 11.5 | 45 | 20.5 | 29 | 105 | 14/20/17 | 126 | 303 | 2.8 | 9.8 |
| NR55LRX | 63 | 100 | 200.5 | 65 | 95 | M12 × 18 | 160.8 | 17.7 | 49 | 16.6 | 10 | 16 | 10 | 5.2 | 14 | 53 | 23.5 | 36.5 | 120 | 16/23/20 | 175.1 | 338.4 | 4.3 | 14 |
| NR55LR | 63 | 100 | 200 | 65 | 95 | M12 × 18 | 160.8 | 17.5 | 49 | 11 | 10 | 16 | 8 | 5.2 | 14 | 53 | 23.5 | 36.5 | 120 | 16/23/20 | 170 | 402 | 4.3 | 14.5 |
| NR65LRX | 75 | 126 | 246 | 76 | 110 | M16 × 20 | 203.6 | 21.6 | 60 | 19 | 15 | 16 | 8.7 | 8.2 | 15 | 63 | 31.5 | 43 | 150 | 18/26/22 | 268.9 | 505.5 | 8.5 | 19.6 |
| NR65LR | 75 | 126 | 245.6 | 76 | 110 | M16 × 20 | 203.6 | 21.5 | 60 | 16 | 15 | 16 | 9 | 8.2 | 15 | 63 | 31.5 | 43 | 150 | 18/26/22 | 260 | 600 | 8.7 | 20.3 |

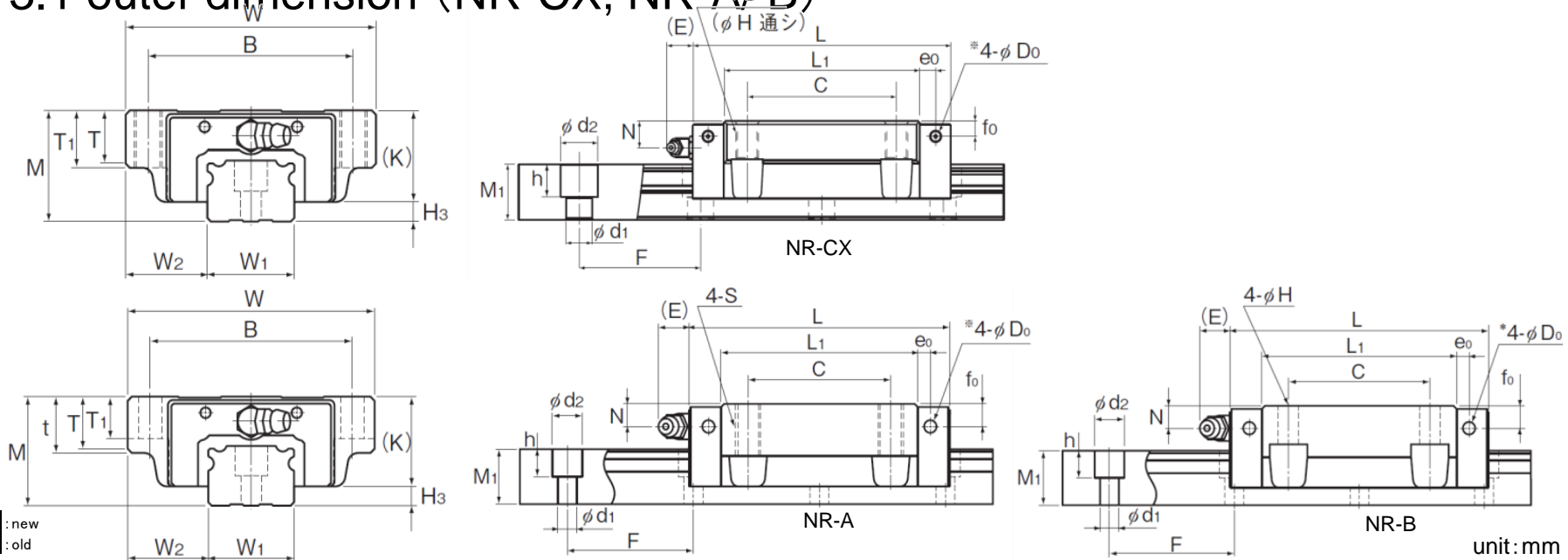
※ Dimension in , longer than model NRS/NR

※ Dimension in , f₀: height, e₀: grease nipple hole position to mounting hole of block is different from model NRS/NR

1030-T41680E-1

3. Dimension comparison

3.1 outer dimension (NR-CX, NR-A/B)



: new
 : old

unit : mm

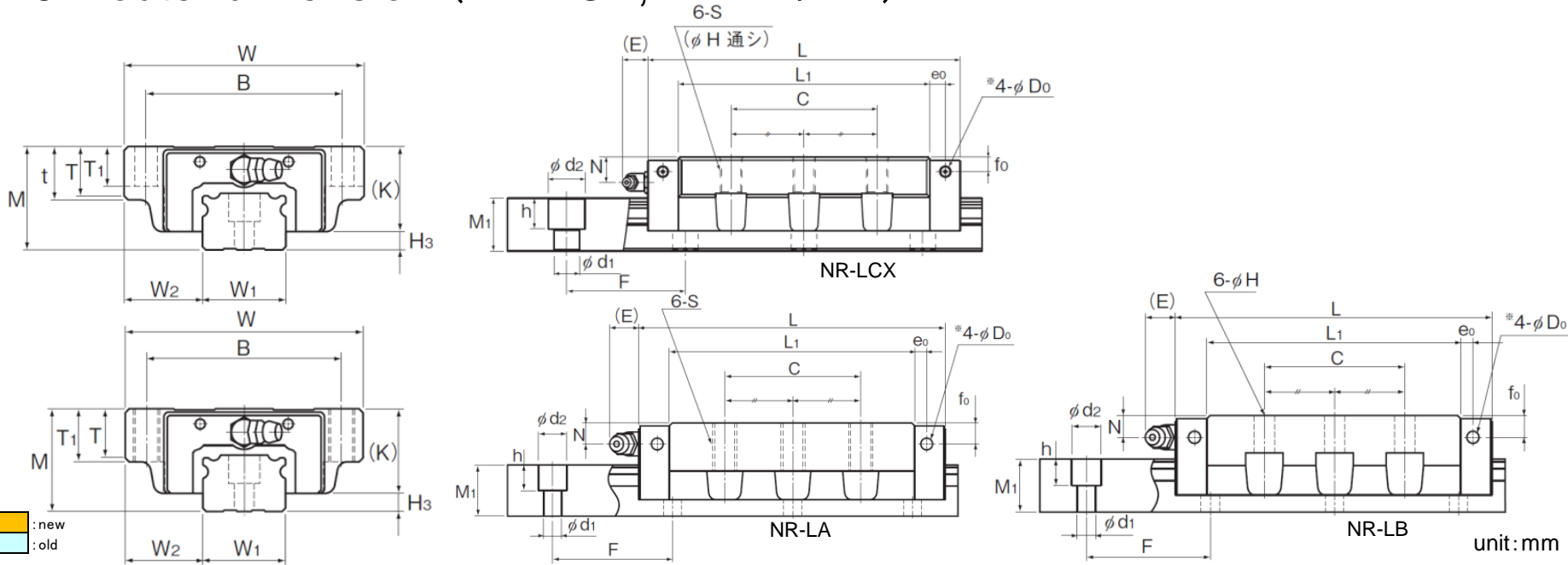
| Model | Outer dimension | | | LM block dimension | | | | | | | | | | | | | | LM rail dimension | | | | | Basic load rating | | Mass | | |
|----------|-----------------|-----|-------|--------------------|-----|----------|------|----------------|------|------|----------------|------|------|----------------|----|----------------|----------------|-------------------|-------------------------|----------------|----------------|-----|-----------------------------------|-----------|------------------------|------------------|-------------------|
| | M | W | L | B | C | S × ℓ | H | L ₁ | t | T | T ₁ | K | N | f ₀ | E | e ₀ | D ₀ | H ₃ | W ₀ -0.05 | W ₂ | M ₁ | F | d ₁ /d ₂ /h | C [kN] | C ₀ [kN] | LM block [kg] | LM rail [kg/m] |
| | | | | | | | | | | | | | | | | | | | | | | | | | | | |
| NR25CX | 31 | 72 | 82.8 | 59 | 45 | M8 | 6.8 | 61.4 | 16 | 14.8 | 12 | 25.5 | 7.8 | 5.1 | 12 | 4.5 | 3.9 | 5.5 | 25 | 23.5 | 17 | 40 | 6/9.5/8.5 | 37.1 | 68.1 | 0.6 | 2.9 |
| NR25XA/B | 31 | 72 | 82.8 | 59 | 45 | M8 × 16 | 7 | 62.4 | 16 | 14.8 | 12 | 25.5 | 7 | 7 | 12 | 4 | 3.9 | 5.5 | 25 | 23.5 | 17 | 40 | 6/9.5/8.5 | 33 | 84.6 | 0.58 | 3.1 |
| NR30CX | 38 | 90 | 98 | 72 | 52 | M10 | 8.5 | 72.1 | 18.1 | 16.9 | 14 | 31 | 10.3 | 7 | 12 | 6.5 | 3.9 | 7 | 28 | 31 | 21 | 80 | 7/11/9 | 54.7 | 98.1 | 1.1 | 4.2 |
| NR30A/B | 38 | 90 | 98 | 72 | 52 | M10 × 18 | 9 | 70.9 | 18 | 16.8 | 14 | 31 | 7 | 7 | 12 | 5 | 3.9 | 7 | 28 | 31 | 21 | 80 | 7/11/9 | 48.7 | 122 | 1.1 | 4.3 |
| NR35CX | 44 | 100 | 109.5 | 82 | 62 | M10 | 8.5 | 79 | 20.1 | 18.9 | 16 | 35 | 12.1 | 8 | 12 | 6 | 5.2 | 9 | 34 | 33 | 24.5 | 80 | 9/14/12 | 72.4 | 124.6 | 1.6 | 6 |
| NR35A/B | 44 | 100 | 109.5 | 82 | 62 | M10 × 20 | 9 | 77.9 | 20 | 18.8 | 16 | 35 | 8 | 8 | 12 | 6 | 5.2 | 9 | 34 | 33 | 24.5 | 80 | 9/14/12 | 63.1 | 155 | 1.5 | 6.2 |
| NR45CX | 52 | 120 | 138.2 | 100 | 80 | M12 | 10.5 | 105 | 22.1 | 20.6 | 20 | 40.4 | 13.9 | 8 | 16 | 8.5 | 5.2 | 11.6 | 45 | 37.5 | 29 | 105 | 14/20/17 | 110.2 | 197.6 | 2.7 | 9.5 |
| NR45A/B | 52 | 120 | 139 | 100 | 80 | M12 × 22 | 11 | 105 | 22 | 20.5 | 20 | 40.5 | 10 | 8 | 16 | 7 | 5.2 | 11.5 | 45 | 37.5 | 29 | 105 | 14/20/17 | 96 | 231 | 2.7 | 9.8 |
| NR55CX | 63 | 140 | 163.3 | 116 | 95 | M14 | 12.5 | 123.6 | 24 | 22.5 | 22 | 49 | 16.6 | 10 | 16 | 10 | 5.2 | 14 | 53 | 43.5 | 36.5 | 120 | 16/23/20 | 141.9 | 250.2 | 4.5 | 14 |
| NR55A/B | 63 | 140 | 162.8 | 116 | 95 | M14 × 24 | 14 | 123.6 | 24 | 22.5 | 22 | 49 | 11 | 10 | 16 | 8 | 5.2 | 14 | 53 | 43.5 | 36.5 | 120 | 16/23/20 | 131 | 310 | 4.4 | 14.5 |
| NR65CX | 75 | 170 | 186 | 142 | 110 | M16 | 14.5 | 143.6 | 28 | 26 | 25 | 60 | 19 | 15 | 16 | 8.7 | 8.2 | 15 | 63 | 53.5 | 43 | 150 | 18/26/22 | 208.7 | 351.7 | 7.8 | 19.6 |
| NR65A/B | 75 | 170 | 185.6 | 142 | 110 | M16 × 28 | 16 | 143.6 | 28 | 26 | 25 | 60 | 16 | 15 | 16 | 9 | 8.2 | 15 | 63 | 53.5 | 43 | 150 | 18/26/22 | 189 | 436 | 7.6 | 20.3 |

※ Dimension in , longer than model NRS/NR
 ※ Dimension in , f₀: height, e₀: grease nipple hole position, mounting hole of block is different from model NRS/NR

NRS : S × ℓ = A type, H, t, T₁ = B type.
 A type : T₁ = #~35 : +4[mm], #45,55 : +2[mm], #65 : +3[mm].

3. Dimension comparison

3.1 outer dimension (NR-LCX, NR-LA/ LB)



unit: mm

| Model | Outer dimension | | | LM block dimension | | | | | | | | | | | | | | LM rail dimension | | | | | Basic load rating | | Mass | | |
|------------|-----------------|-----|-------|--------------------|-----|--------|------|----------------|------|------|----------------|------|------|----------------|----|----------------|----------------|-------------------|-------------------------|----------------|----------------|-----|-----------------------------------|-------|---------------------|------------------|-------------------|
| | M | W | L | B | C | S×ℓ | H | L ₁ | t | T | T ₁ | K | N | f ₀ | E | e ₀ | D ₀ | H ₃ | W ₁ -0.05 | W ₂ | M ₁ | F | d ₁ /d ₂ /h | C[kN] | C ₀ [kN] | LM block [kg] | LM rail [kg/m] |
| | | | | | | | | | | | | | | | | | | | | | | | | | | | |
| NR25LCX | 31 | 72 | 102 | 59 | 45 | M8 | 6.8 | 80.6 | 16 | 14.8 | 12 | 25.5 | 7.8 | 5.1 | 12 | 4.5 | 3.9 | 5.5 | 25 | 23.5 | 17 | 40 | 6/9.5/8.5 | 45.4 | 90.8 | 0.8 | 2.9 |
| NR25XLA/LB | 31 | 72 | 102 | 59 | 45 | M8×16 | 7 | 81.6 | 16 | 14.8 | 12 | 25.5 | 7 | 7 | 12 | 4 | 3.9 | 5.5 | 25 | 23.5 | 17 | 40 | 6/9.5/8.5 | 44 | 113 | 0.77 | 3.1 |
| NR30LCX | 38 | 90 | 120.5 | 72 | 52 | M10 | 8.5 | 94.6 | 18.1 | 16.9 | 14 | 31 | 10.3 | 7 | 12 | 6.5 | 3.9 | 7 | 28 | 31 | 21 | 80 | 7/11/9 | 66.9 | 130.8 | 1.5 | 4.2 |
| NR30LA/LB | 38 | 90 | 120.5 | 72 | 52 | M10×18 | 9 | 93.4 | 18 | 16.8 | 14 | 31 | 7 | 7 | 12 | 5 | 3.9 | 7 | 28 | 31 | 21 | 80 | 7/11/9 | 64.9 | 162 | 1.4 | 4.3 |
| NR35LCX | 44 | 100 | 135 | 82 | 62 | M10 | 8.5 | 104.5 | 20.1 | 18.9 | 16 | 35 | 12.1 | 8 | 12 | 6 | 5.2 | 9 | 34 | 33 | 24.5 | 80 | 9/14/12 | 89.6 | 169.1 | 2 | 6 |
| NR35LA/LB | 44 | 100 | 135 | 82 | 62 | M10×20 | 9 | 103.4 | 20 | 18.8 | 16 | 35 | 8 | 8 | 12 | 6 | 5.2 | 9 | 34 | 33 | 24.5 | 80 | 9/14/12 | 85.7 | 210 | 1.9 | 6.2 |
| NR45LCX | 52 | 120 | 171 | 100 | 80 | M12 | 10.5 | 137.8 | 22.1 | 20.6 | 20 | 40.4 | 13.9 | 8 | 16 | 8.5 | 5.2 | 11.6 | 45 | 37.5 | 29 | 105 | 14/20/17 | 132 | 255.8 | 3.6 | 9.5 |
| NR45LA/LB | 52 | 120 | 171 | 100 | 80 | M12×22 | 11 | 137 | 22 | 20.5 | 20 | 40.5 | 10 | 8 | 16 | 7 | 5.2 | 11.5 | 45 | 37.5 | 29 | 105 | 14/20/17 | 126 | 303 | 3.5 | 9.8 |
| NR55LCX | 63 | 140 | 200.5 | 116 | 95 | M14 | 12.5 | 160.8 | 24 | 22.5 | 22 | 49 | 16.6 | 10 | 16 | 10 | 5.2 | 14 | 53 | 43.5 | 36.5 | 120 | 16/23/20 | 175.1 | 338.4 | 5.9 | 14 |
| NR55LA/LB | 63 | 140 | 200 | 116 | 95 | M14×24 | 14 | 160.8 | 24 | 22.5 | 22 | 49 | 11 | 10 | 16 | 8 | 5.2 | 14 | 53 | 43.5 | 36.5 | 120 | 16/23/20 | 170 | 402 | 5.7 | 14.5 |
| NR65LCX | 75 | 170 | 246 | 142 | 110 | M16 | 14.5 | 203.6 | 28 | 26 | 25 | 60 | 19 | 15 | 16 | 8.7 | 8.2 | 15 | 63 | 53.5 | 43 | 150 | 18/26/22 | 268.9 | 505.5 | 11 | 19.6 |
| NR65LA/LB | 75 | 170 | 245.6 | 142 | 110 | M16×28 | 16 | 203.6 | 28 | 26 | 25 | 60 | 16 | 15 | 16 | 9 | 8.2 | 15 | 63 | 53.5 | 43 | 150 | 18/26/22 | 260 | 600 | 10.9 | 20.3 |

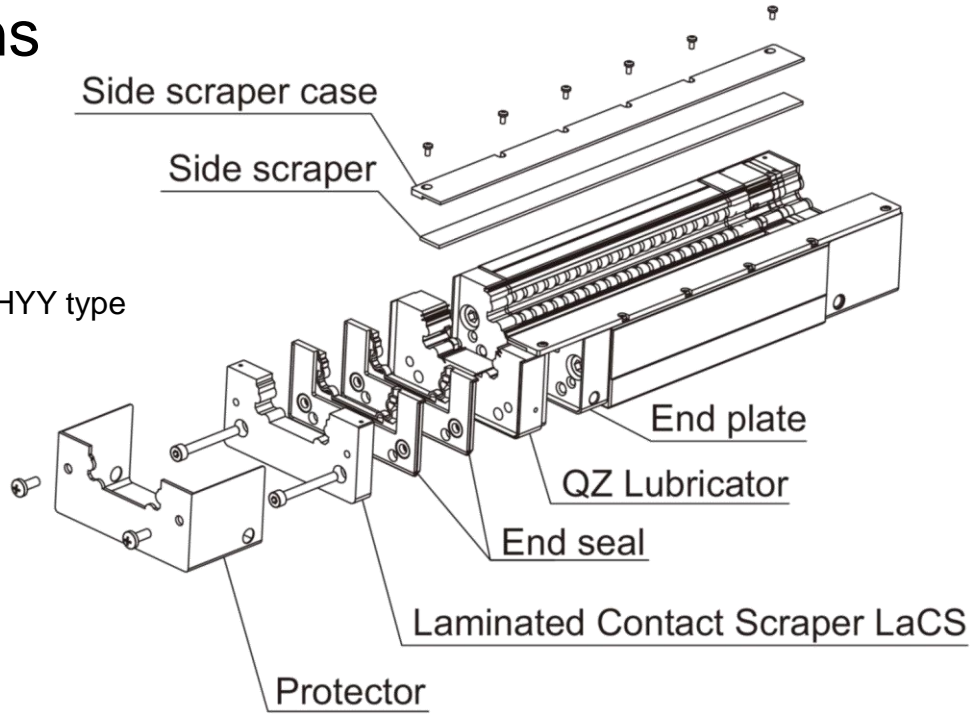
※ Dimension in , longer than model NRS/NR
 ※ Dimension in , f₀: height, e₀: grease nipple hole position to mounting hole of block is different from model NRS/NR

NRS : S×ℓ = A type, H, t, T₁ = B type.
 A type : T₁ = #~35 : +4[mm], #45,55 : +2[mm], #65 : +3[mm].

3. Dimensions/Performance

3.2 Options

Outline view
Ex: in case of QZTTHHYY type



: new
 : old

※ HH type (with LaCS) is provide with the protector (serving also as metal scraper).

| Model | End seal | End seal+ Side seal+ | Double seal+ Side seal+ | SS+ metal scraper | DD+ metal scraper | LaCS | Side scraper | Lubricator QZ | End seal+ protector | Double seal+ protector | Plate cover | Steel Tape |
|-------|----------|-------------------------|----------------------------|----------------------|----------------------|------|--------------|------------------|------------------------|---------------------------|----------------|---------------|
| | UU | Inner seal+ SS | Inner seal+ DD | ZZ | KK | HH | YY | QZ | JJ | TT | Z | Z |
| NRS-X | ○ | ○ | ○ | ○ | ○ | ○ | ○ | ○ | ○ | ○ | --- ※1 | --- ※1 |
| NRS | ○ | ○ | ○ | ○ | ○ | ○ | --- | ○ | --- | --- | ○ ※2 | ○ |
| NR-X | ○ | ○ | ○ | ○ | ○ | ○ | ○ | ○ | ○ | ○ | --- ※1 | --- ※1 |
| NR | ○ | ○ | ○ | ○ | ○ | ○ | --- | ○ | --- | --- | ○ ※2 | ○ |

※ 1 Contact THK if need.

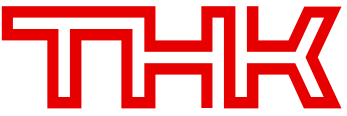
※ 2 Applicable #35~75 type only

Overall length of block with protection parts (L dimension)

| Model | | L | | | | | | | | |
|------------|-----------------|-------|-------|-------|-------|-------|-------|-------|-------------|-------------|
| | | UU | SS | DD | ZZ | KK | SSHH | DDHH | ※2 ZZ(JJ)HH | ※2 KK(TT)HH |
| NRS-X/NR-X | 25R/C | 82.8 | 82.8 | 88 | 89.2 | 94.4 | 96.8 | 102 | 102.5 | 107.7 |
| NRS/NR | | 82.8 | 82.8 | 90.4 | 89.2 | 96.8 | 100.1 | 107.7 | 102.5 | 110.1 |
| NRS-X/NR-X | 25LR/LC | 102 | 102 | 107.2 | 108.4 | 113.6 | 116 | 121.2 | 121.7 | 126.9 |
| NRS/NR | | 102 | 102 | 109.6 | 108.4 | 116 | 119.3 | 126.9 | 121.7 | 129.3 |
| NRS-X/NR-X | 30R/C | 98 | 98 | 104.6 | 104.4 | 111 | 115.2 | 121.8 | 120.9 | 127.5 |
| NRS/NR | | 98 | 98 | 107 | 104.4 | 113.4 | 119.3 | 128.3 | 121.7 | 130.7 |
| NRS-X/NR-X | 30LR/LC | 120.5 | 120.5 | 127.1 | 126.9 | 133.5 | 137.7 | 144.3 | 143.4 | 150 |
| NRS/NR | | 120.5 | 120.5 | 129.5 | 126.9 | 135.9 | 141.8 | 150.8 | 144.2 | 153.2 |
| NRS-X/NR-X | 35R/C/RH/CH | 109.5 | 109.5 | 116.5 | 117.1 | 124.1 | 126.7 | 133.7 | 133.5 | 140.5 |
| NRS/NR | | 109.5 | 109.5 | 119.7 | 117.1 | 127.3 | 131.1 | 141.3 | 133.5 | 143.7 |
| NRS-X/NR-X | 35LR/LC/LRH/LCH | 135 | 135 | 142 | 142.6 | 149.6 | 152.2 | 159.2 | 159 | 166 |
| NRS/NR | | 135 | 135 | 145.2 | 142.6 | 152.8 | 156.6 | 166.8 | 159 | 169.2 |
| NRS-X/NR-X | 45R/C/RH/CH | 138.2 | 138.2 | 145.2 | 146.6 | 153.6 | 158.2 | 165.2 | 165.8 | 172.8 |
| NRS/NR | | 139 | 139 | 149.2 | 147.4 | 157.6 | 164.4 | 174.6 | 167.6 | 177.8 |
| NRS-X/NR-X | 45LR/LC/LRH/LCH | 171 | 171 | 178 | 179.4 | 186.4 | 191 | 198 | 198.6 | 205.6 |
| NRS/NR | | 171 | 171 | 181.2 | 179.4 | 189.6 | 196.4 | 206.6 | 199.6 | 209.8 |
| NRS-X/NR-X | 55R/C/RH/CH | 163.3 | 163.3 | 168.4 | 169.8 | 176.8 | 182.4 | 189.4 | 190 | 197 |
| NRS/NR | | 162.8 | 162.8 | 173 | 171.4 | 181.6 | 188.1 | 198.3 | 191.3 | 201.5 |
| NRS-X/NR-X | 55LR/LC/LRH/LCH | 200.5 | 200.5 | 205.6 | 207 | 214 | 219.6 | 226.6 | 227.2 | 234.2 |
| NRS/NR | | 200 | 200 | 210.2 | 208.6 | 218.8 | 225.3 | 235.5 | 228.5 | 238.7 |
| NRS-X/NR-X | 65R/C | 186 | 186 | 191.8 | 194.2 | 201.6 | 208.8 | 216.2 | 217.5 | 224.9 |
| NRS/NR | | 185.6 | 185.6 | 196.2 | 194.2 | 204.8 | 214.9 | 225.5 | 218.1 | 228.7 |
| NRS-X/NR-X | 65LR/LC | 246 | 246 | 251.8 | 254.2 | 261.6 | 268.8 | 276.2 | 277.5 | 284.9 |
| NRS/NR | | 245.6 | 245.6 | 256.2 | 254.2 | 264.8 | 274.9 | 285.5 | 278.1 | 288.7 |

※1 Dimension in , longer than model NRS/NR

※2 Protector contained metal scrapper function, dimension of ZZHH, JJHH, KKHH and KKTT are compared.



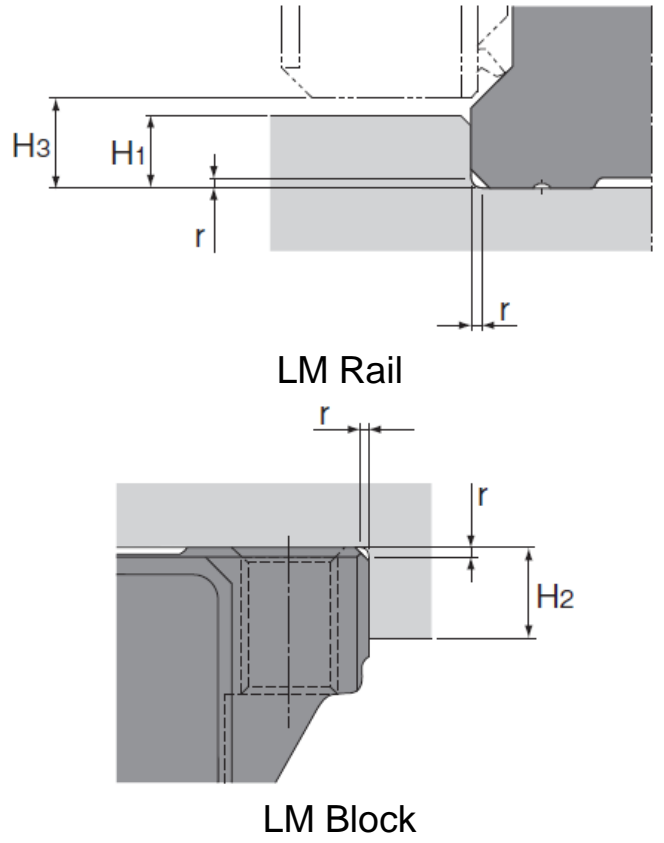
LM Block dimension with QZ Lubricator (L dimension)

| Model | | L | | | | | | | ※ | ※ |
|------------|-----------------|-------|-------|-------|-------|-------|-------|--------|------------|------------|
| | | QZUU | QZSS | QZDD | QZZZ | QZKK | QZSSH | QZDDHH | QZZZ(JJ)HH | QZKK(TT)HH |
| NRS-X/NR-X | 25R/C | 102.8 | 102.8 | 108 | 108.5 | 113.7 | 116.8 | 122 | 122.5 | 127.7 |
| NRS/NR | | 105.2 | 105.2 | 112.8 | 110.9 | 118.5 | 122.5 | 130.1 | 124.9 | 132.5 |
| NRS-X/NR-X | 25LR/LC | 122 | 122 | 127.2 | 127.7 | 132.9 | 136 | 141.2 | 141.7 | 146.9 |
| NRS/NR | | 124.4 | 124.4 | 132 | 130.1 | 137.7 | 141.7 | 149.3 | 144.1 | 151.7 |
| NRS-X/NR-X | 30R/C | 118 | 118 | 124.6 | 123.7 | 130.3 | 135.2 | 141.8 | 140.9 | 147.5 |
| NRS/NR | | 120.4 | 120.4 | 129.4 | 126.1 | 135.1 | 141.7 | 150.7 | 144.1 | 153.1 |
| NRS-X/NR-X | 30LR/LC | 140.5 | 140.5 | 147.1 | 146.2 | 152.8 | 157.7 | 164.3 | 163.4 | 170 |
| NRS/NR | | 142.9 | 142.9 | 151.9 | 148.6 | 157.6 | 164.2 | 173.2 | 166.6 | 175.6 |
| NRS-X/NR-X | 35R/C/RH/CH | 139.5 | 139.5 | 146.5 | 146.3 | 153.3 | 156.7 | 163.7 | 163.5 | 170.5 |
| NRS/NR | | 142.7 | 142.7 | 152.9 | 149.5 | 159.7 | 164.3 | 174.5 | 166.7 | 176.9 |
| NRS-X/NR-X | 35LR/LC/LRH/LCH | 165 | 165 | 172 | 171.8 | 178.8 | 182.2 | 189.2 | 189 | 196 |
| NRS/NR | | 168.2 | 168.2 | 178.4 | 175 | 185.2 | 189.8 | 200 | 192.2 | 202.4 |
| NRS-X/NR-X | 45R/C/RH/CH | 168.2 | 168.2 | 175.2 | 175.8 | 182.8 | 188.2 | 195.2 | 195.8 | 202.8 |
| NRS/NR | | 172.2 | 172.2 | 182.4 | 179.8 | 190 | 197.6 | 207.8 | 200.8 | 211 |
| NRS-X/NR-X | 45LR/LC/LRH/LCH | 201 | 201 | 208 | 208.6 | 215.6 | 221 | 228 | 228.6 | 235.6 |
| NRS/NR | | 204.2 | 204.2 | 214.4 | 211.8 | 222 | 229.6 | 239.8 | 232.8 | 243 |
| NRS-X/NR-X | 55R/C/RH/CH | 201.4 | 201.4 | 208.4 | 209 | 216 | 222.4 | 229.4 | 230 | 237 |
| NRS/NR | | 204.8 | 204.8 | 215 | 213.5 | 223.7 | 231.3 | 241.5 | 234.5 | 244.7 |
| NRS-X/NR-X | 55LR/LC/LRH/LCH | 238.6 | 238.6 | 245.6 | 246.2 | 253.2 | 259.6 | 266.6 | 267.2 | 274.2 |
| NRS/NR | | 242 | 242 | 252.2 | 250.7 | 260.9 | 268.5 | 278.7 | 271.7 | 281.9 |
| NRS-X/NR-X | 65R/C | 224.4 | 224.4 | 231.8 | 233.1 | 240.5 | 248.8 | 256.2 | 257.5 | 264.9 |
| NRS/NR | | 227.6 | 227.6 | 238.2 | 236.3 | 246.9 | 258.1 | 268.7 | 261.3 | 271.9 |
| NRS-X/NR-X | 65LR/LC | 284.4 | 284.4 | 291.8 | 293.1 | 300.5 | 308.8 | 316.2 | 317.5 | 324.9 |
| NRS/NR | | 287.6 | 287.6 | 298.2 | 296.3 | 306.9 | 318.1 | 328.7 | 321.3 | 331.9 |

※ Protector contained metal scrapper function, dimension of QZZZHH, QZJJHH, QZKKHH, QZKKTT and QZKKTT are compared

3. Dimension comparison

3.3 Mounting shoulder height & corner radius



| Model | Corner radius r (max) | LM rail | LM block | H3 | |
|---------------------|--------------------------|-----------------------|-----------------------|----|------|
| | | Shoulder height H1 | Shoulder height H2 | | |
| new NRS/ NR-X | 25 | 0.5 | 4 | 5 | 5.5 |
| | 30 | 1 | 5 | 5 | 7 |
| | 35 | 1 | 6 | 6 | 9 |
| | 45 | 1 | 8 | 8 | 11.6 |
| | 55 | 1.5 | 10 | 10 | 14 |
| | 65 | 1.5 | 10 | 10 | 15 |
| old NRS/ NR | 25X | 0.5 | 4 | 5 | 5.5 |
| | 30 | 1 | 5 | 5 | 7 |
| | 35 | 1 | 6 | 6 | 9 |
| | 45 | 1 | 8 | 8 | 11.5 |
| | 55 | 1.5 | 10 | 10 | 14 |
| | 65 | 1.5 | 10 | 10 | 15 |

4. Supplement

- How to calculate the load rating
Comfort with ISO FDIS 14728-1
- Drop of balls
Balls will pop up when remove LM block from LM rail.
- Selection Model No.
Optional parts such as end plate/end seal are marked as SVS/SVR as use
Same one. Judgment of model depends on the mark at side face of LM block.

- Sales of options (seal, bellows) of NRS/NR will be ended along with the sales
close of NRS/NR.